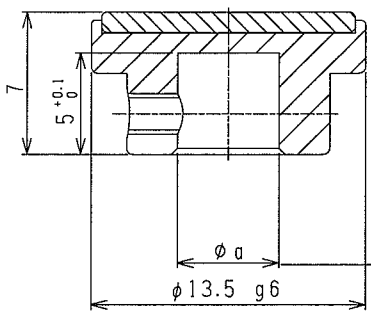


Serial No Area  
 Printed by HANDWRITE or SIGNET  
 Serial No  
 0000-9999

Serial No. Entry Blank  
 Printed by Hot Transcript  
 Serial No. Note Tool  
 Example: 2008.OCT No.235 Rev.A  
 Write=AX0235A  
 Symbol Rule  
 Year-Month-Serial No.-Revision No.  
 Rule Detail  
 \*Year  
 A=2008, B=2009, E=2012  
 \*Month  
 1=JAN, 2=FEB, .. 9=SEP  
 X=OCT, Y=NOV, Z=DEC  
 \*Serial No.  
 0000-9999  
 \*Revision Status Symbol  
 A=Rev.A, B=Rev.B



Model	φa
PSET011	φ5 +0.02/0
PSET012	φ4 +0.02/0

Single Putout Connector Specification  
 A/Bch Output

PIN No.	Name	I/O	Content
1	VCC	-	Power Voltage
2	GND	-	GND
3	NC	IN	No Connection
4	-OUT:0	OUT	-Zch or -OUT terminal
5	+OUT:0	OUT	+Zch or -OUT terminal
6	+B	OUT	+Bch
7	-B	OUT	-Bch
8	-A	OUT	-Ach
9	+A	OUT	+Ach

Serial Communication Output

PIN No.	Name	I/O	Content
1	VCC	-	Power Voltage
2	GND	-	GND
3	REQ	IN	Request Signal
4	-SPI SDO	OUT	-Communication Data
5	+SPI SDO	OUT	+Communication Data
6	+SPI CLK	OUT	+Communication Clock
7	-SPI CLK	OUT	-Communication Clock
8	NC	OUT	No Connection
9	NC	OUT	No Connection

Connector Model No.  
 Housing 501330-0900 (MOLEX)  
 Contact 501334-001 (MOLEX)  
 Application Electric Wire Range  
 Conductor Size/AWG#32-28  
 Insulation Dia./φ0.4mm-0.8mm

RELEASE OF DRAWING	DATE	BY

EA05R03		SYM	No.OF REV.	DESCRIPTION	EC.No.	DATE	DESIGN	APPR
TYPE	No.OF REQUIRED							

REF.DRAWING	PROJECT NO	TITLE
PROJECTION	UNIT	SCALE
	mm	FREE
SECTION	PRT	TOLERANCE
APPR	CADCHK	
DESIGN	CHECKD	

TITLE		DRAWING No.		ID No.
OUTSIDE_DRAWING		T09A665A01		01/01